



energreetechnologies

together committed to a greener future.

160 Don Park Road, Unit #3
 Markham, ON L3R 1C3
 www.energreetechnologies.com
 Phone: 905-479-5999
 Fax: 905-479-5997

30w LED Flood Light



Ordering Information

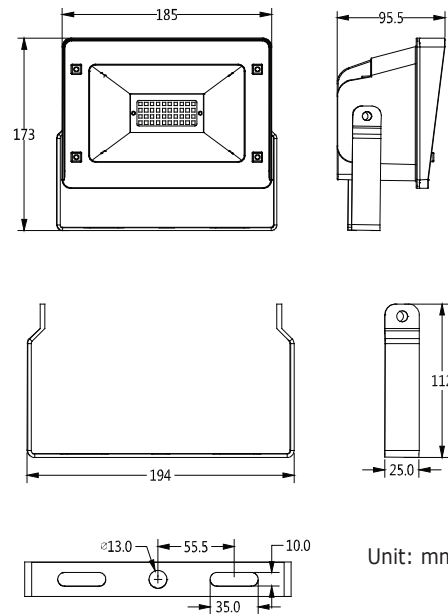
EGT-FL-30w-120V-XK
 (5000K stock temperature)

*X denotes colour temperature

Specifications

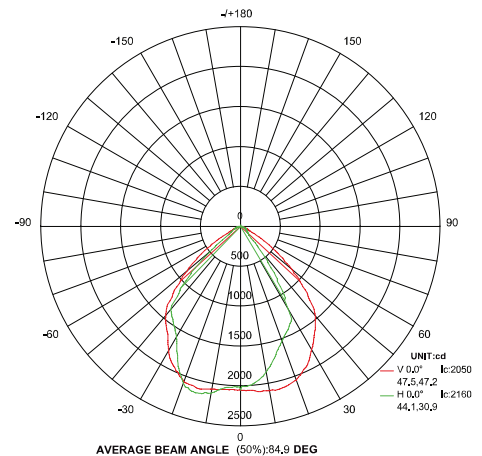
- Input Voltage: 100-277VAC
- Power: 30W
- Lumen Efficiency: 110lm/w
- Lumen Output: 3300lm
- CCT: 3000K, 4000K, 5000K (stock)
- CRI: Ra>80
- LED Chip Type: Philips
- Operating Temperature: -25°C-55°C
- Power Factor: >0.95
- Max Input Current: 0.4A
- Dimmable: No
- Lifespan: 50,000hrs
- Warranty: 10 years
- Certification: cUL/ETL/DLC
- IP Rating: IP65
- Lens Material: Tempered Glass

Dimensions

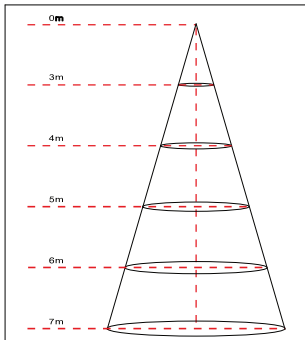


Unit: mm

Photometrics



Lux Chart



Height	Average Lux (lx)	Light range (dia.)
3M	129.1	469.5cm
4M	72.6	626cm
5M	46.5	782.5cm
6M	32.3	939cm
7M	23.7	1095.5cm