



energreetechnologies™

together committed to a greener future.

160 Don Park Road, Unit #3
Markham, ON L3R 1C3
www.energreetechnologies.com
Phone: 905-479-5999
Fax: 905-479-5997

50w LED Flood Light



Ordering Information

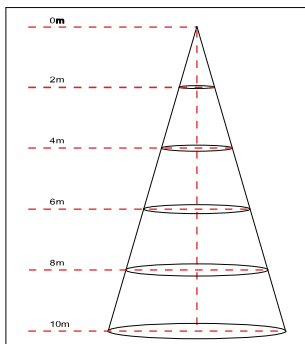
EGT-FL-50w-120V-XK
(5000K stock temperature)

*X denotes colour temperature

Specifications

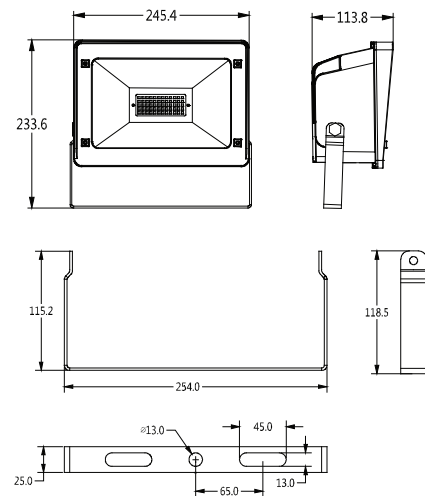
- Input Voltage: 100-277VAC
- Power: 50W
- Lumen Efficiency: 110lm/w
- Lumen Output: 5500lm
- CCT: 3000K, 4000K, 5000K (stock)
- CRI: Ra>80
- LED Chip Type: Philips
- Operating Temperature: -25°C-55°C
- Power Factor: >0.95
- Max Input Current: 0.95A
- Dimmable: No
- Lifespan: 50,000hrs
- Warranty: 10 years
- Certification: cUL/ETL/DLC
- IP Rating: IP65
- Lens Material: Tempered Glass

Lux Chart



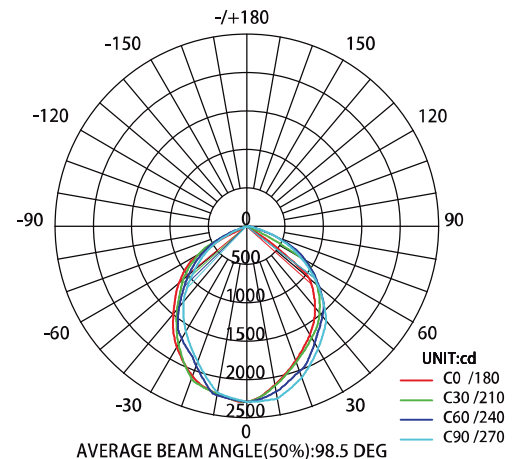
| Height | Average Lux (lx) | Light range (dia.) |
|--------|------------------|--------------------|
| 2M | 220.1 | 440.1cm |
| 4M | 55.03 | 880.2cm |
| 6M | 24.46 | 1320.2cm |
| 8M | 13.76 | 1760.3cm |
| 10M | 8.81 | 2200.4cm |

Dimensions



Unit: mm

Photometrics



AVERAGE BEAM ANGLE(50%):98.5 DEG