



energreetechnologies™
together committed to a greener future.

160 Don Park Road, Unit #3
Markham, ON L3R 1C3
www.energreetechnologies.com
Phone: 905-479-5999
Fax: 905-479-5997

150w LED Shoebox



Ordering Information

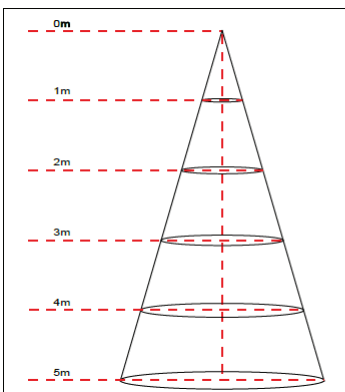
EGT-SBX-150w-120V-XK-Y
EGT-SBX-150w-347V-XK-Y

*X denotes colour temperature
** Y denotes mounting option

Specifications

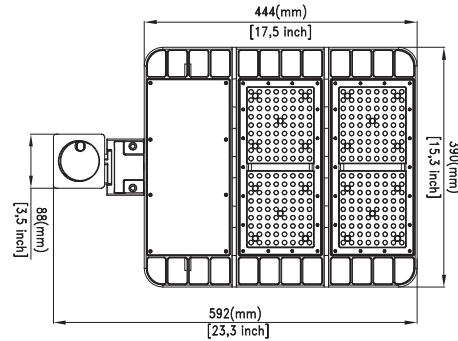
Input Voltage: 100-277VAC, 347-480VAC
Power: 150W
Lumen Efficiency: 120lm/w
Lumen Output: 18000lm
CCT: 3000K, 4000K, 5000K
CRI: Ra>70
LED Chip Type: Philips
Operating Temperature: -40°C~40°C
Power Factor: >0.95
Max Input Current: 0.95A @ 100VAC
Dimmable: No
Lifespan/Warranty: 50,000hrs/5 years
Weight: 15lbs
Certification: cUL/ETL/DLC
IP Rating: IP66
Lens Material: Polycarbonate

Lux Chart



Height	Average Lux (lx)	Light range (dia.)
1M	2101	206.4cm
2M	780.6	338.6cm
3M	346.9	507.9cm
4M	195.1	677.2cm
5M	124.9	846.5m

Dimensions



Mounting Options



A - Slipfit



B - Round or C - Trunnion Square Pole



D - Wall

Photometrics

